

Product
Portfolio



ATLANTIC DOORS INC.

THE ARCHITECTS OF STYLE

Standard **DOORS**

Plywood Center Panel Doors



PL 10



PL 20



PL 30



PL 40



PL 50



PL 60



PL 70



PL 80



PL 90



PL 10-D Drawer

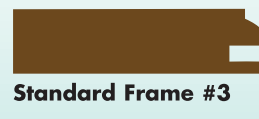
NOTE:
All Standard Frames are available in 2 1/4" and 2 1/2" widths.
Please specify frame number and width required when ordering.



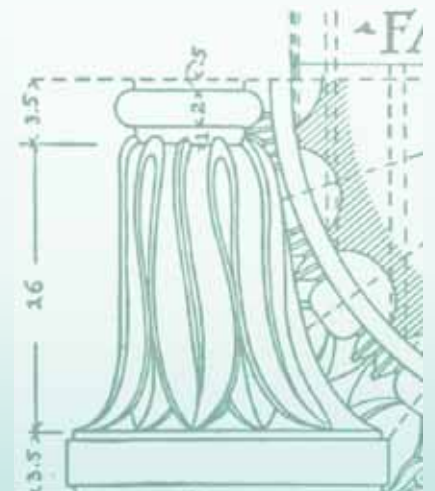
Standard Frame #1



Standard Frame #2



Standard Frame #3



Standard **DOORS**
Solid Center Panel Doors



SL 10



SL 20



SL 30



SL 40



SL 50



SL 60



SL 70



SL 80



SL 90



SL10-D Drawer

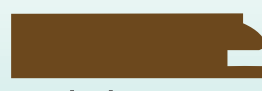
NOTE:
All Standard Frames are available in 21/4" and 21/2" widths.
Please specify frame number and width required when ordering.



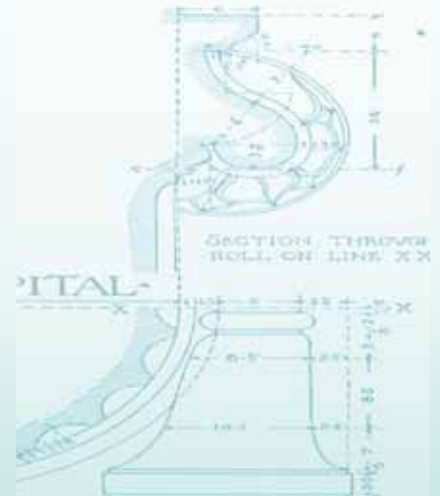
Standard Frame #1



Standard Frame #2



Standard Frame #3



Specialty **DOORS**

Shaker Design



SH 10
Plain Shaker



SH 11
V-Shaker



SH 12
Utica Shaker*



SH 13
Shaker-Modern



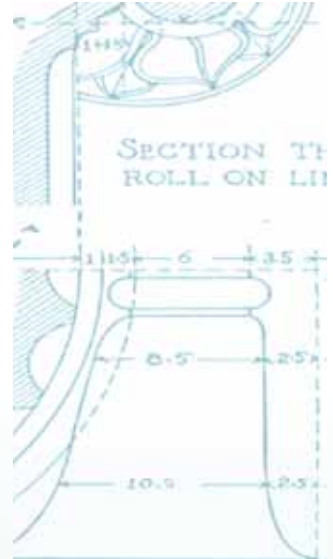
SH 14
Shaker-A.M. Regular



SH 15
Shaker-A.M. Traditional



SH 16
Plain Shaker-English Groove



Shaker Frame Dimensions

All Shaker doors are **2 1/2"** wide.

On the Shaker A.M. Regular the moulding adds **3/8"** to above width.

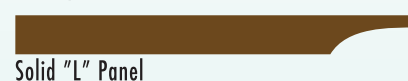
On the Shaker A.M. Traditional the moulding adds **3/4"** to above width.

NOTE: *Utica Shaker

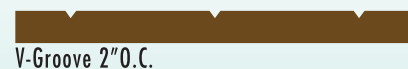
Please note that the V-Groove detail on the inside of the frame stops where it meets the inside of the top and bottom rails.

Shaker Center Panels

1/4" Ply available in Wood Veneer or MDF



Solid "L" Panel



V-Groove 2"O.C.



English Groove 2"O.C.



Regency Groove 2"O.C.

Specialty **DOORS**

SA Series



SA 10 Genova



SA 20 Rockport



SA 22 Denver



SA 23 Barcelona



SA 10-D Genova Drawer



SA 20-D Rockport Drawer



SA 22-D Denver Drawer



SA 23-D Barcelona



SA 10 Genova

← 3 1/2" →



SA 20 Rockport

← 2 3/4" →



SA 22 Denver

← 2 3/4" →



SA 23 Barcelona

← 2 3/4" →



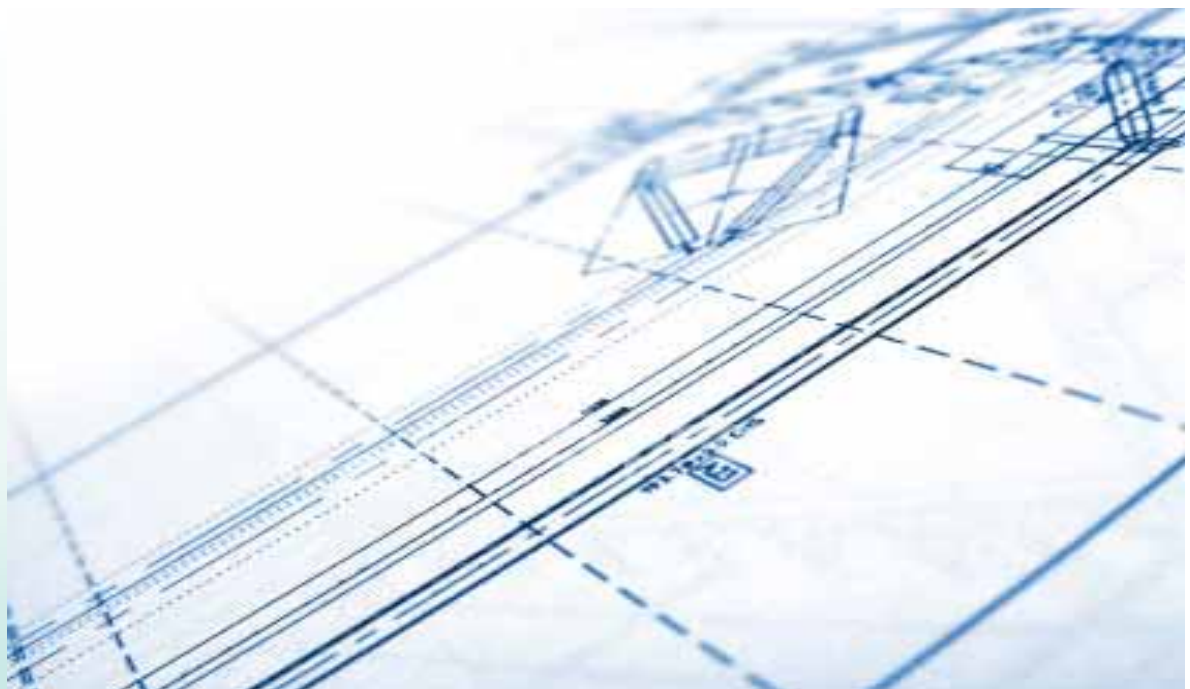
SA 101-MD Genova Classic with Applied Moulding #1

← 3 1/2" →



SA 102-MD Genova Classic with Applied Moulding #2

← 3 1/2" →



Specialty **DOORS**

SA Series



SA 44 Boston Classic



SA 55 Boston Nuvo



SA 57 Boston Modern



SA 44-D Boston Classic Drawer



SA 55-D Boston Nuvo Drawer



SA 57-D Boston Modern Drawer



SA 44 Boston Classic

← 4" →



SA 55 Boston Nuvo

← 3" →



SA 57 Boston Modern

← 3" →



Specialty **DOORS**

SA Series



SA 40 Lakefield



SA 60 Chicago



SA 63 Hampton



SA 66 Vermont



SA 40-D Lakefield Drawer



SA 60-D Chicago Drawer



SA 63-D Hampton Drawer



SA 66-D Vermont Drawer



SA 40 Lakefield

← 2 3/4" →



SA 60 Chicago

← 2 3/4" →



SA 63 Hampton

← 2 1/2" →



SA 66 Vermont

← 3" →



SA 77 Cape Cod



SA 77-D Cape Cod Drawer



SA 77 Cape Cod

← 2 1/2" →

Specialty **DOORS**

SA Series



SA 80 Broadway



SA 99 Salem



SA 100 Toscana



SA 80-D Broadway Drawer



SA 99-D Salem Drawer



SA 100-D Toscana Drawer



SA 80 Broadway

← 2 3/4" →



SA 99 Salem

Stiles are Shaker Profile 2 1/2"
Rails are Salem Profile 3 5/8"



SA 100 Toscana

← 3 9/16" →



SA 90-D Shaker Chicago Drawer



SA 90 Shaker Chicago

Stiles are Chicago 2 3/4"
Rails are Plain Shaker 3 1/2"



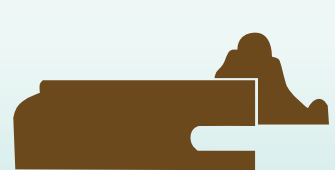
SA 90 Shaker Chicago



SA 105 Veneto



SA 105-D Veneto Drawer



SA 105 Veneto

Rails are 3 5/8" including the applied moulding

Specialty MITER DOORS

MS Series



MS 10 Manhattan



MS 11 Manhattan Classic



MS 20 Lisbon



MS 10-D Manhattan Drawer



MS 11-D Manhattan Drawer



MS 20-D Lisbon Drawer



MS 10 Manhattan

← 2 3/4" →



MS 11 Manhattan Classic

← 3 1/2" →



MS 20 Lisbon

← 2 3/4" →



MS 22 Newport



MS 22-D Newport Drawer



MS 22 Newport

← 2 3/4" →



Specialty MITER DOORS

MS Series



MS 23 Miami



MS 40 Florence



MS 44 Madrid



MS 23-D Miami Drawer



MS 40-D Florence Drawer



MS 44-D Madrid Drawer



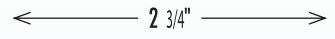
MS 23 Miami



MS 40 Florence



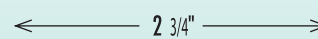
MS 44 Madrid



MS 49-D Cairo Drawer



MS 49 Cairo



MS 49 Cairo

Specialty MITER DOORS

MS Series



MS 45 Sorrento



MS 50 Florence with bead



MS 60 Carolina



MS 70 Columbia



MS 45-D Sorrento Drawer



MS 50-D Florence with bead
Drawer



MS 60-D Carolina Drawer



MS 70-D Columbia Drawer



MS 45 Sorrento

← 3 3/8" →



MS 50 Florence with bead

← 3 1/4" →



MS 60 Carolina

← 2 1/2" →



MS 70 Columbia

← 2 1/2" →



MS 88 Venice



MS 88-D Venice Drawer



MS 88 Venice

← 3 1/2" →



MS 90-D Rodeo Drawer



MS 90 Rodeo

← 3 5/16" →



MS 90 Rodeo

Center **PANELS**

Please refer to our Price Guide under Technical Specifications for minimum sizes of drawers and doors for each of these center panels.



A



G



M



B



H



N



C



I



O



D



J



P



E



K



Q



F



L



R

Lip **SELECTION**



Lip #1



Lip #5



Lip #9



Lip #13



Lip #2



Lip #6



Lip #10



Lip #14



Lip #3



Lip #7



Lip #11



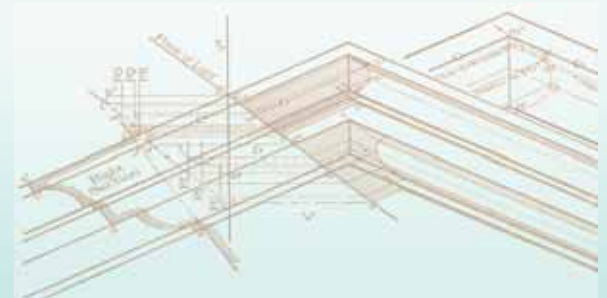
Lip #4



Lip #8



Lip #12



Specialty **PREMIUM DOORS**

AT Series



AT 20-A Athens



AT 20-B Athens



AT 30 Thebes



AT 20-D Athens Drawer 3 1/4" Rail



AT 20-D Athens Drawer 3 1/4" Rail



AT 30-D Thebes Drawer 3 15/16" Rail



AT 40 Corfu



AT 50 Argos



AT 40-D Corfu Drawer 2 3/4" Rail



AT 50-D Argos Drawer 2 1/2" Rail

Specialty PREMIUM DOORS

AT Series



AT 60 Palatine



AT 70 Collina



AT 80 Delphi



AT 60-D Palatine Drawer 2 1/2" Rail



AT 70-D Collina Drawer 2 3/4" Rail



AT 80-D Delphi Drawer 2 3/4" Rail



AT 90 Olympia



AT 90-D Olympia Drawer 2 3/4" Rail



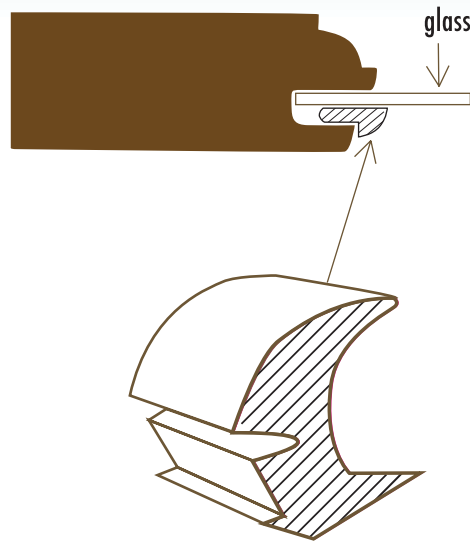
French **MULLION DOORS**

Available on most door styles



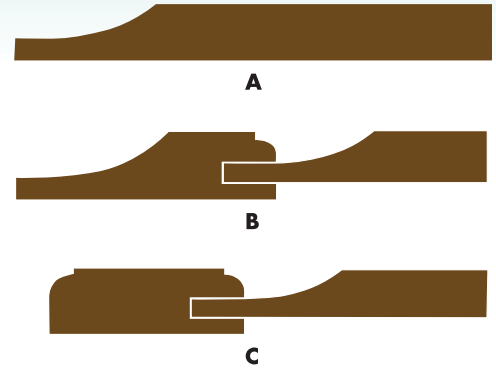
6 Lites

Rubber Glass Retainer



Available on most door styles

Appliance Panels



When ordering appliance panels please specify which panel type is required.

A- This is a center panel scooped to fit into the frame of the appliance.

B- This is a five piece door scooped to fit into the frame of the appliance.

C- This is a five piece door ready to be glued to a 1/4" panel which is then fitted to the frame of the appliance.

Please note that for dishwasher panels the grain direction on the kick is generally horizontal. If you require vertical please specify.



7 Lites



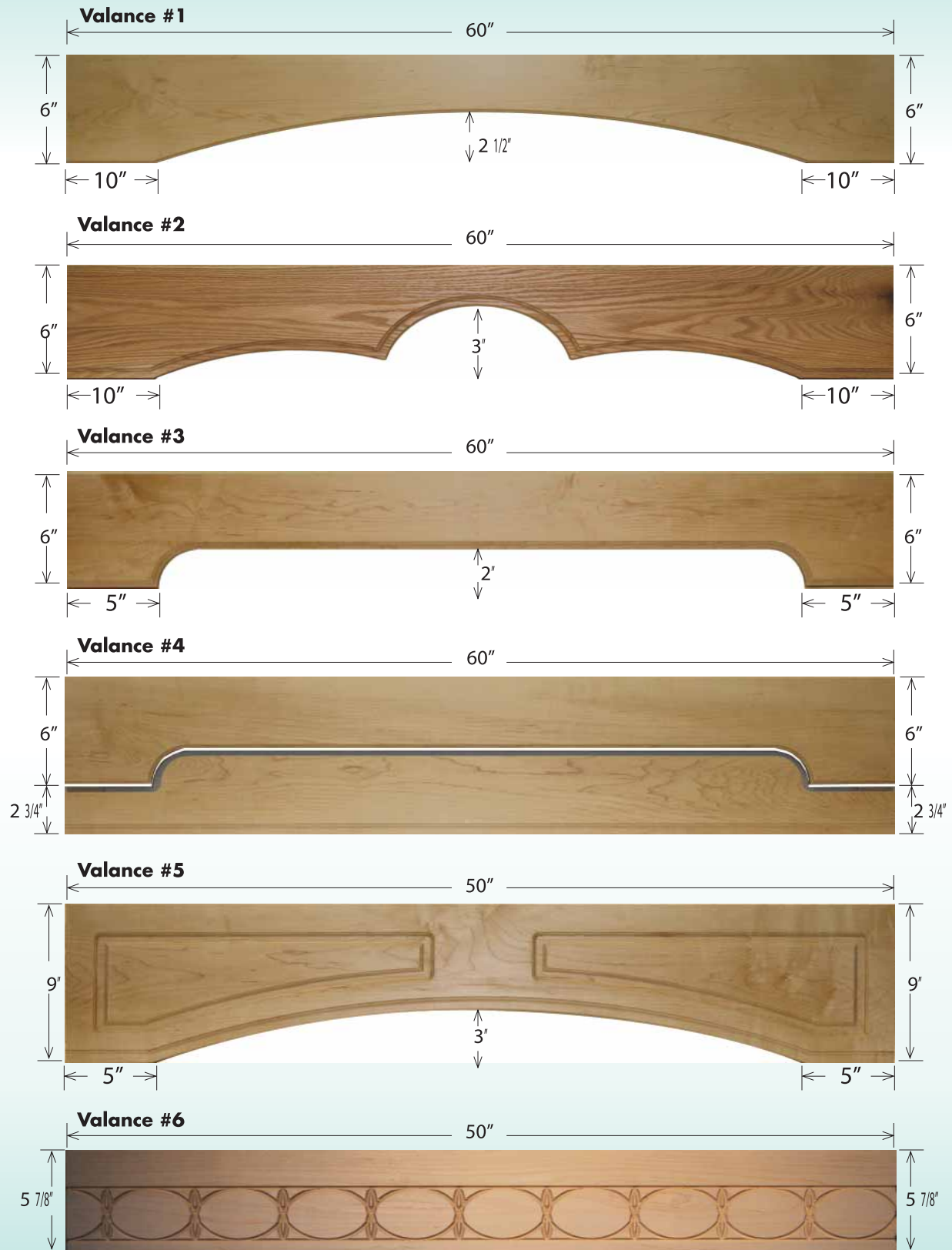
9 Lites



Frame Only

Window **VALANCES**

The sizes shown are standard stock sizes for fast turn around.
Custom sizes are available on request.



Applied **MOULDINGS**

Profile Selection



Applied Moulding #1
3/4" X 3/8"



Applied Moulding #2
3/4" X 3/8"



Applied Moulding #3
1 5/16" X 13/16"



Applied Moulding #4
1 5/16" X 13/16"



Applied Moulding #5
1 1/16" X 11/16"



Applied Moulding #6
1 5/16" X 13/16"



Applied Moulding #7
1" X 13/16"



Applied Moulding #8
1 3/8" X 7/16"



Applied Moulding #9
1 5/16" X 7/16"



Applied Moulding #10
3/4" X 3/8"



Applied Moulding #11
7/8" X 7/16"



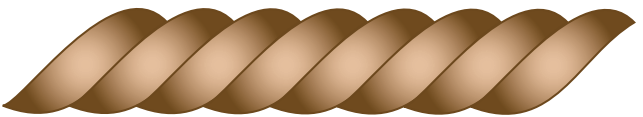
Applied Moulding #12
7/16" X 1/4"



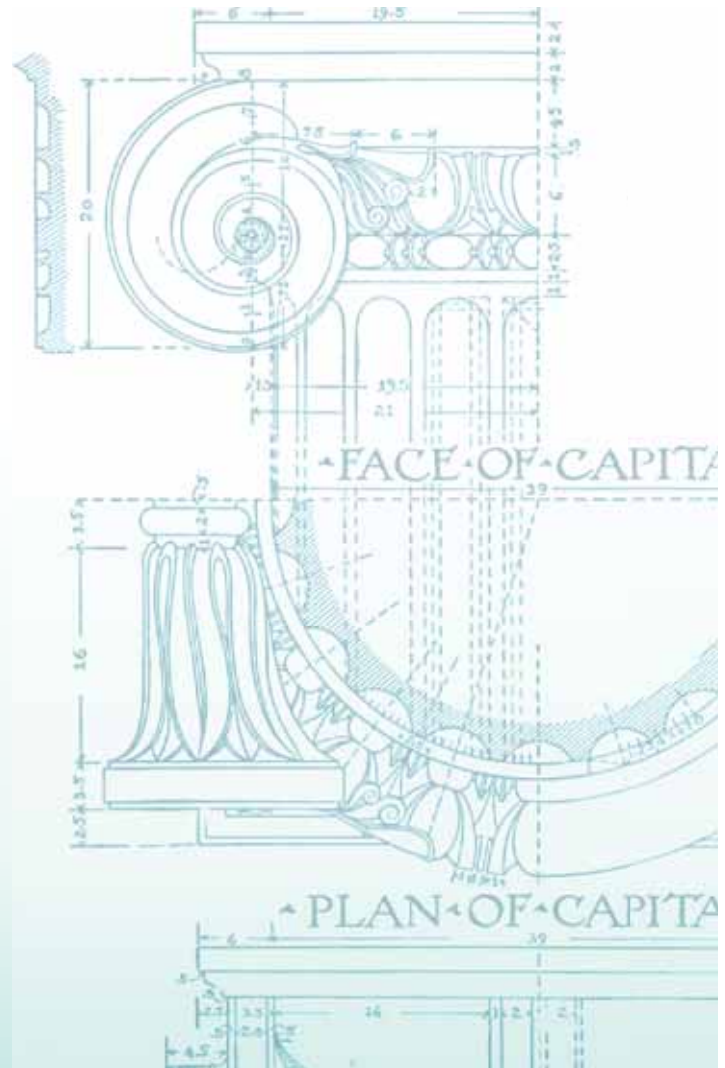
Decorative Moulding #24
1/4" X 1/4"



Rope Moulding #25
5/8" X 5/8"



Rope Moulding #26
3/4" X 3/4"



Crown **MOULDINGS**



Crown Moulding #1 2 1/4"



Crown Moulding #3 Beaded 4"



Crown Moulding #2 3 1/2"



Crown Moulding #4 4 1/4"



Crown Moulding #3 Rope 4"



Crown Moulding #5 Dental 5"



Crown Moulding #3 Dental 4"



Crown Moulding #5 5"

Crown Moulding Profile Selection



Crown Moulding #1 - 2 1/4"



Crown Moulding #3 Dental - 4"



Crown Moulding #3 Beaded - 4"



Dental Moulding Detail



Crown Moulding #2 - 3 1/2"



Crown Moulding #3 Rope - 4"



Crown Moulding #4 - 4 1/4"



Crown Moulding #5 - 5"

Light Valances

& Accessories



Light Valance #1 2 3/8"



Light Valance #2 2 3/8"



Light Valance #3 2 3/8"



Light Valance #4 2 3/4"



Light Valance #5 2 3/4"



Light Valance #6 2 3/4"



Light Valance #7 2 3/4"



Light Valance #8 2 3/8"



Light Valance #9 2 3/8"



Light Valance #10 2 3/8"



Fluted Filler 3 1/2" with rosettes



Scrolled Filler 3 1/2" with rosettes

The patterns used in the valances can also be applied to certain door frames for a unique cabinet door.



Atlantic Doors Inc. manufactures cabinet doors to a high standard of quality and design, using the latest technology to produce products that exceed the industry standards.

What makes Atlantic stand out in the marketplace is our passion and ability to use innovative and creative solutions to meet the many challenges of this industry. You will find our doors, wood mouldings and accessories in the superior range with respect to sizing accuracy, finished sanding and wood selection.

We use only prime quality hardwoods and plywoods in our manufacturing process.

Most importantly, we have an exceptional team of craftsmen dedicated to ensure high standards of quality on a consistent basis.

When you collaborate with Atlantic, you can take comfort in knowing that "our business starts with our customers' needs and finishes with their satisfaction."

Professionalism. Innovation. Quality. Service.

These are the qualities that make Atlantic the Architects of Style.

